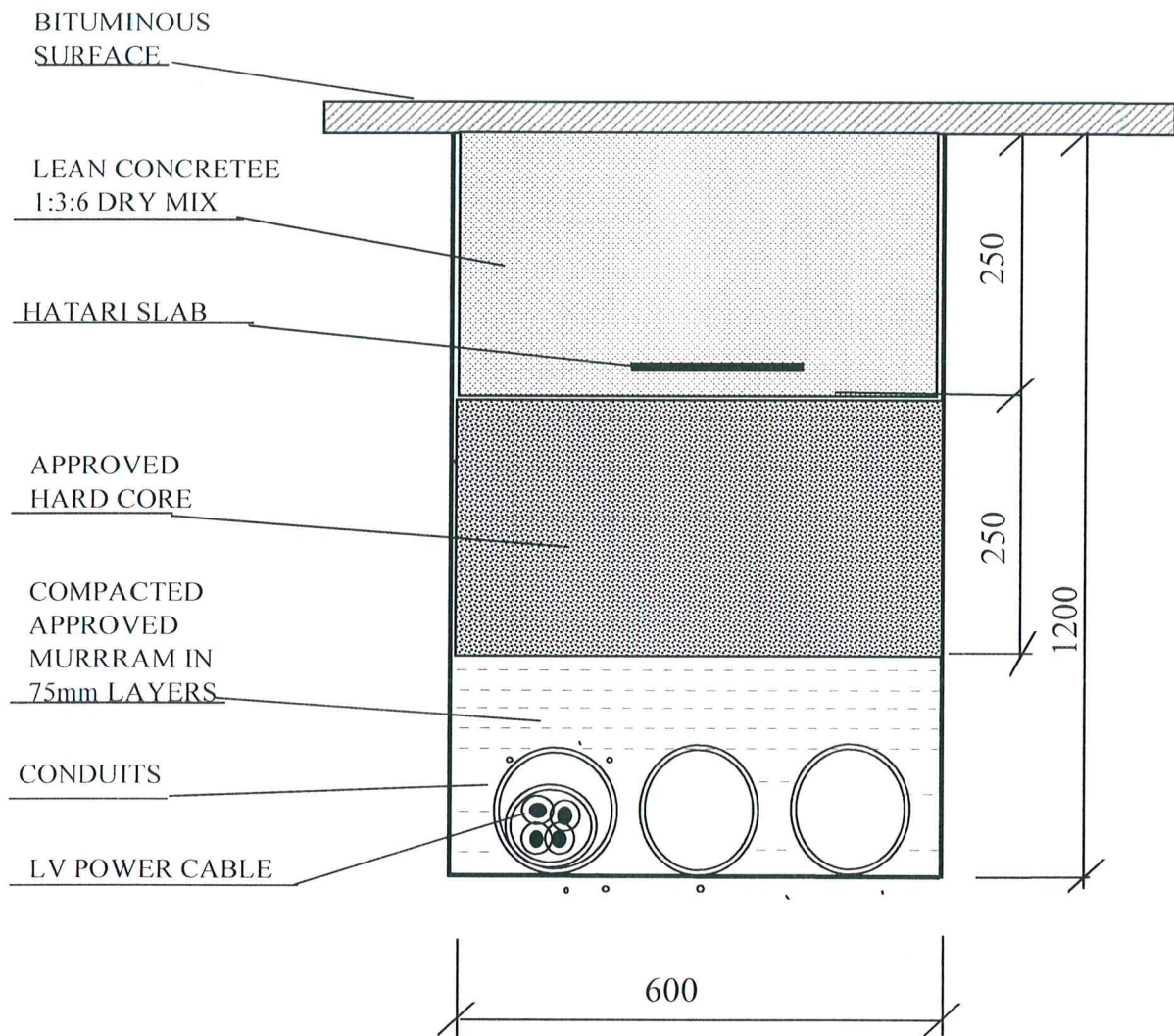
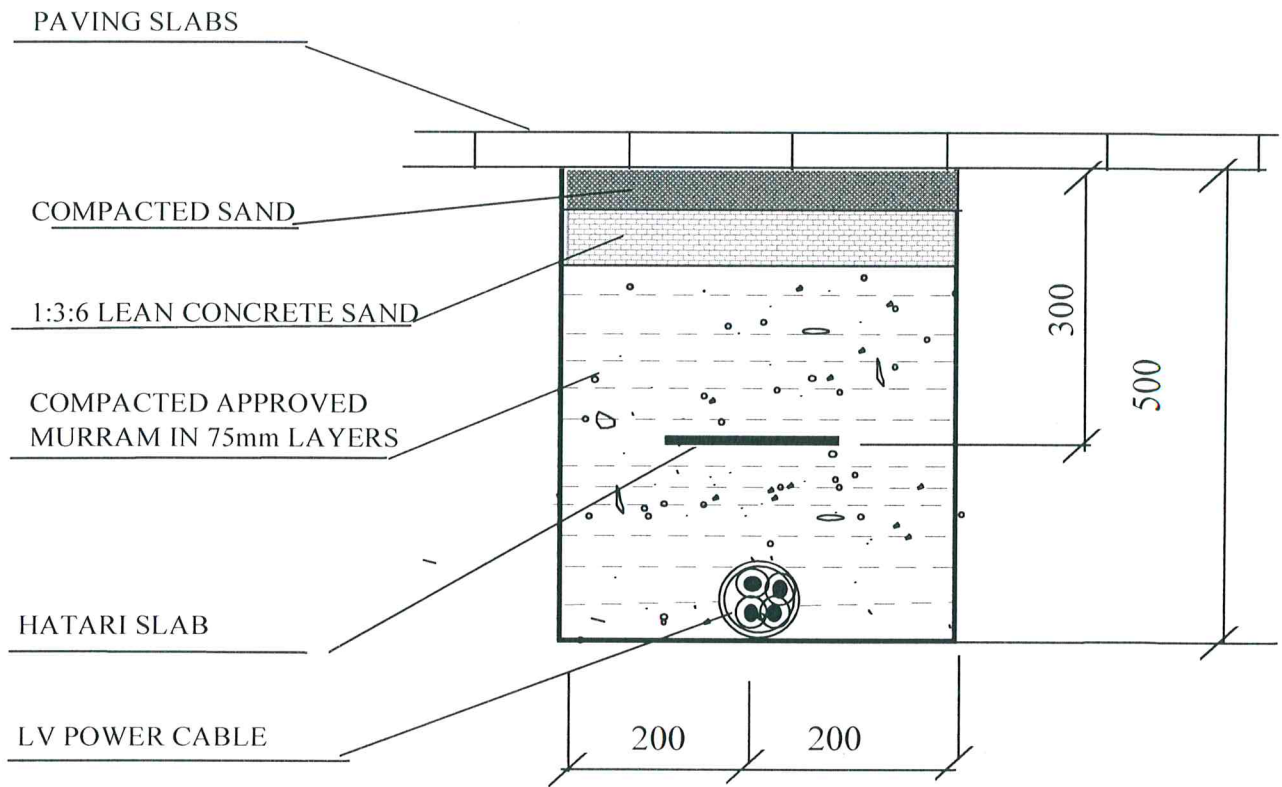


FIG 01 PUBLIC ROAD CROSSING LV CABLE TRENCH DETAILS



**NB.** The ducts/conduits will be installed as required including covered with 150mm concrete surround.

FIG 2 LV CABLE ALONG FOOTPATHS/WALKWAYS TRENCH DETAILS

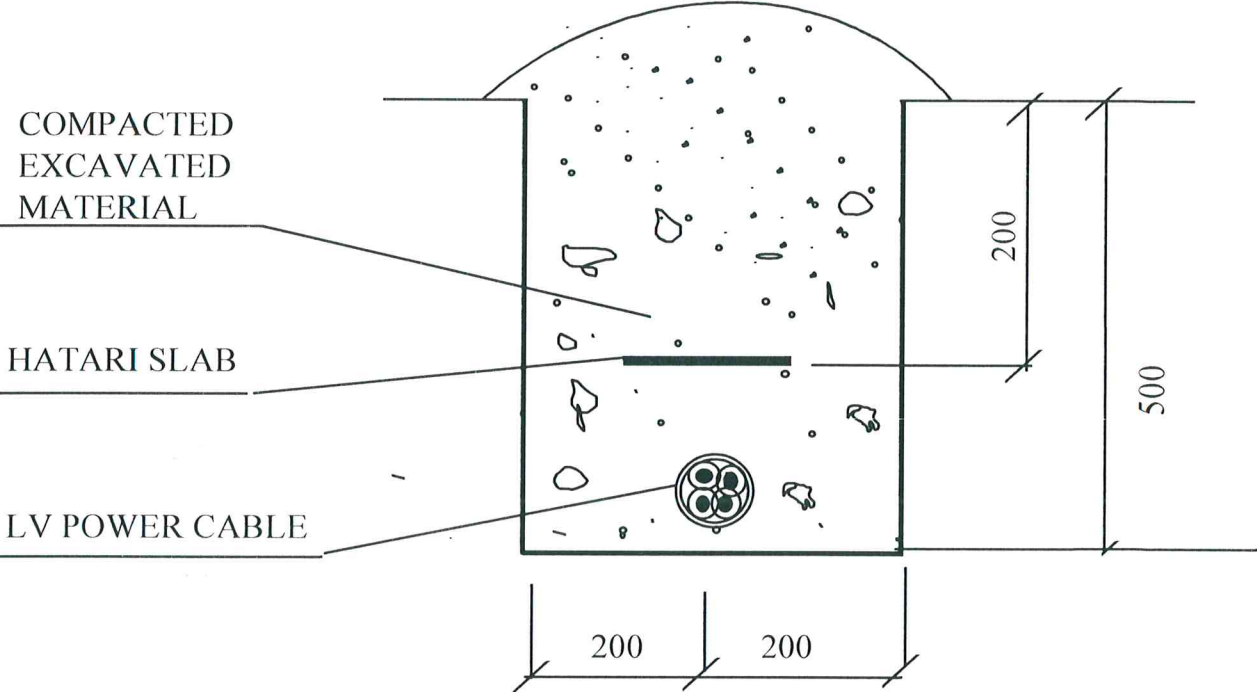


*[Handwritten signature]*

*[Faint handwritten notes]*

3.8 LV/MV CABLES BURIAL DETAILS

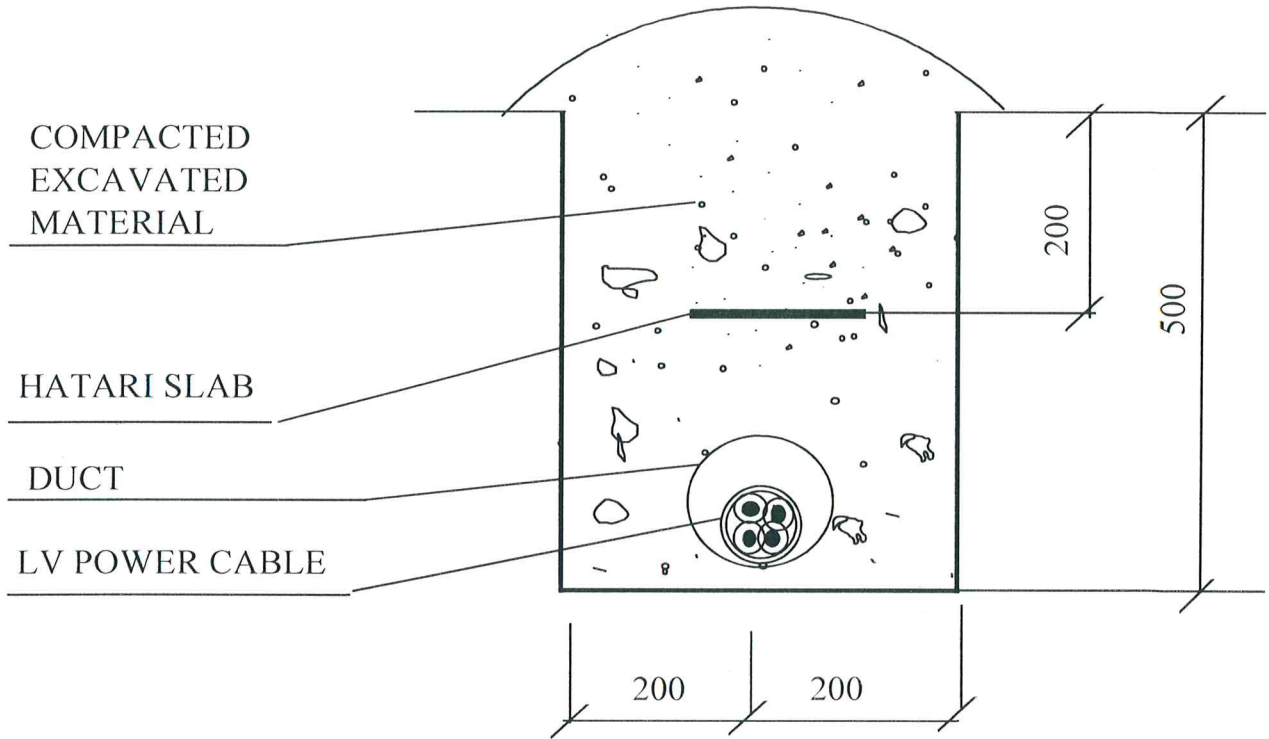
FIG 2A DIRECT BURIED ARMoured LV CABLE OPEN SPACES TRENCH DETAIL



*Signature*

*Stamp*

FIG 2A BURIED AND DRAWN IN DUCTS LV/ MV CABLE OPEN SPACES TRENCH DETAILS



**NB.** The ducts/conduits will be installed as required including covered with 150mm concrete surround.

*[Faint handwritten notes]*

*[Handwritten signature]*