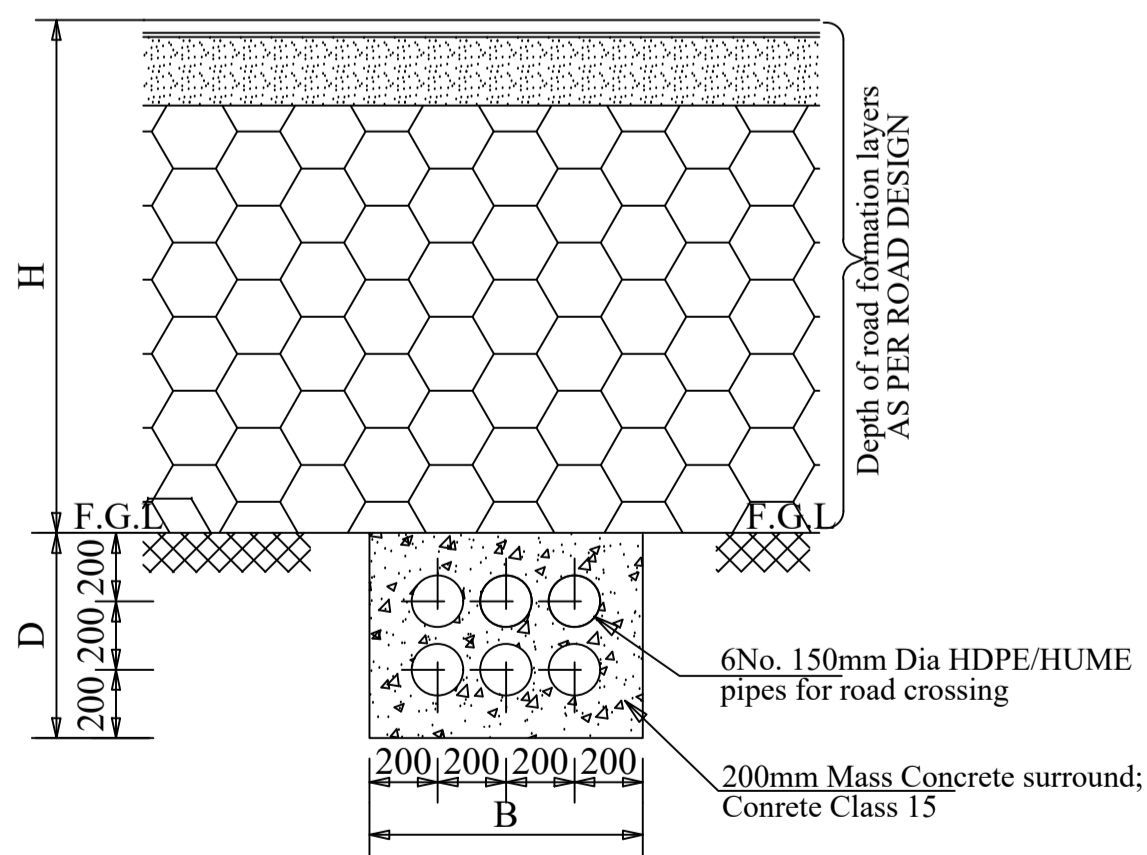
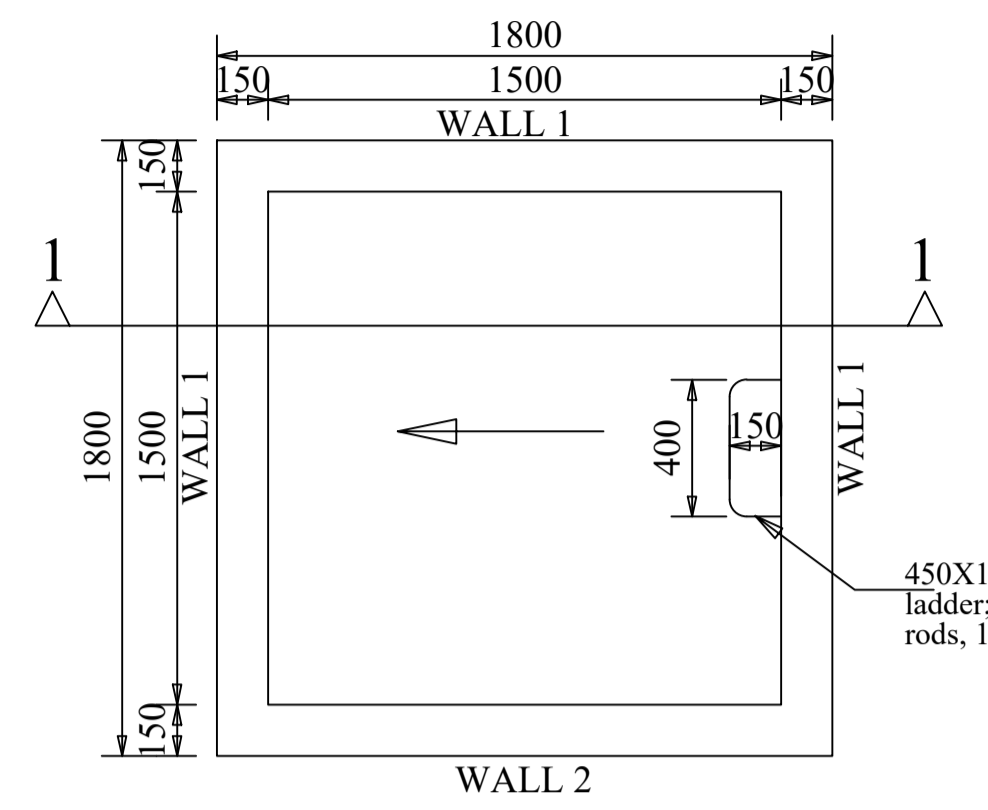


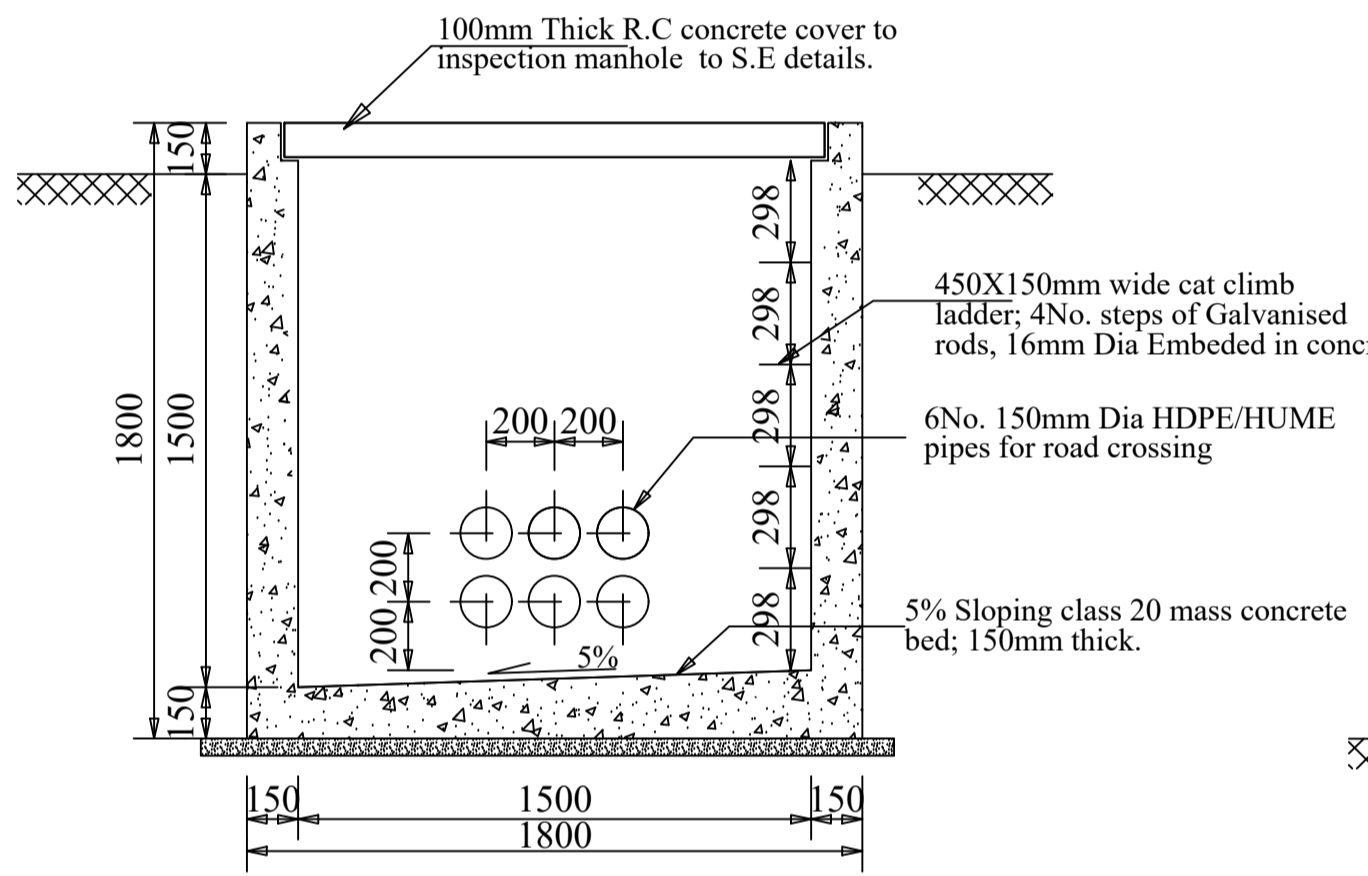
PLAN VIEW
SCALE 1:100



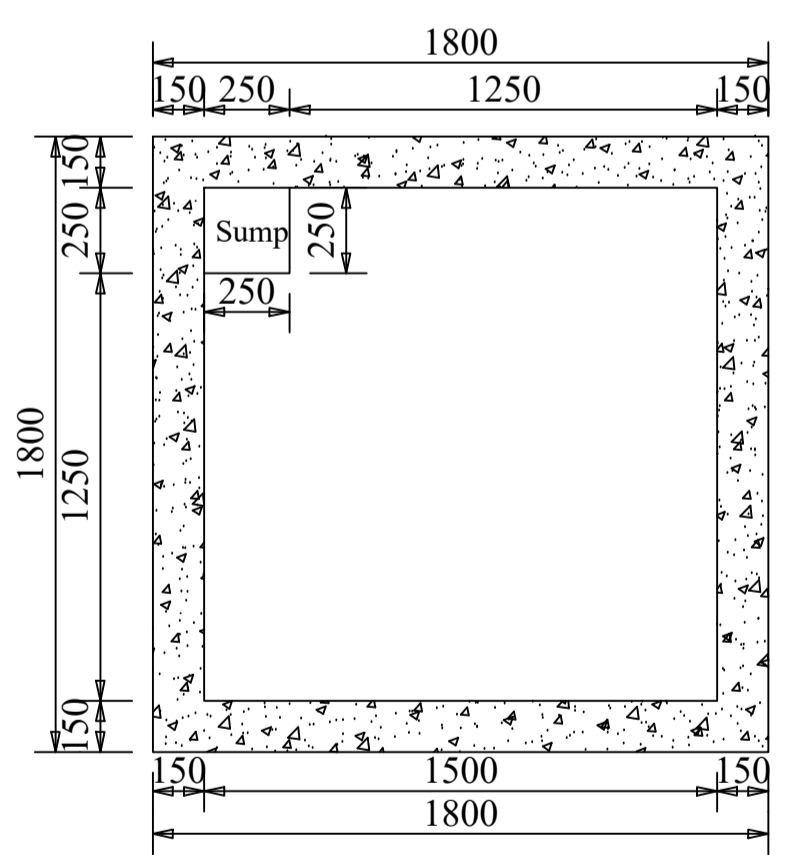
SECTION 2-2
SCALE 1:30



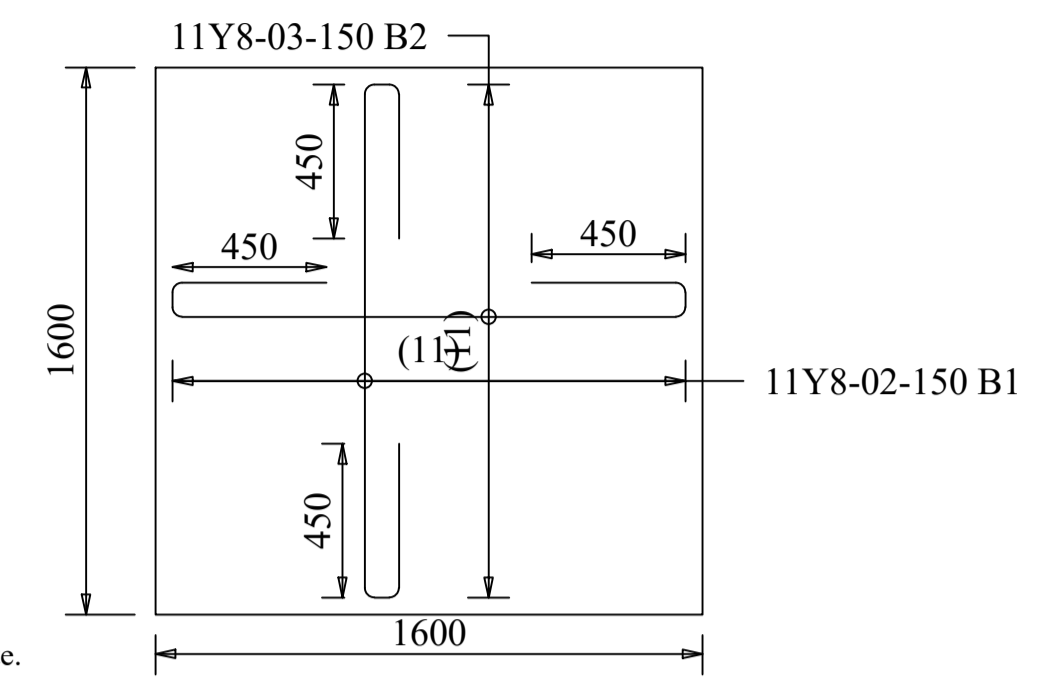
INSPECTION MANHOLE PLAN VIEW
SCALE 1:25



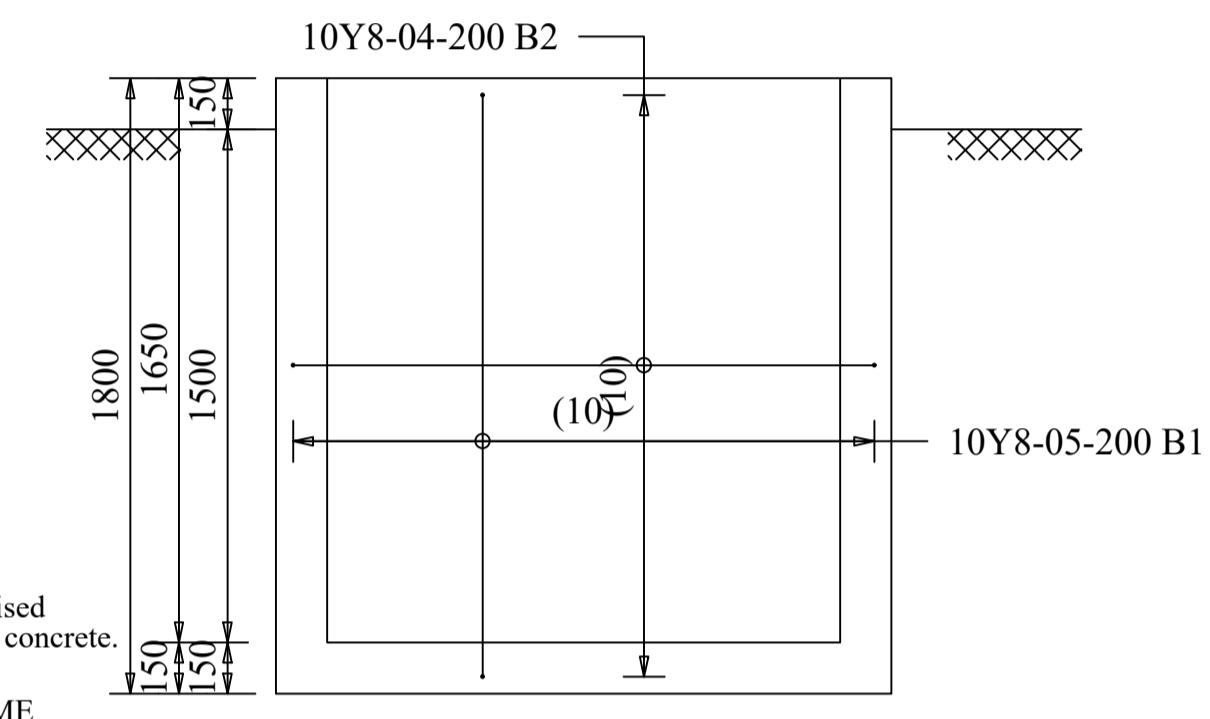
INSPECTION MANHOLE SECTION 1-1
SCALE 1:30



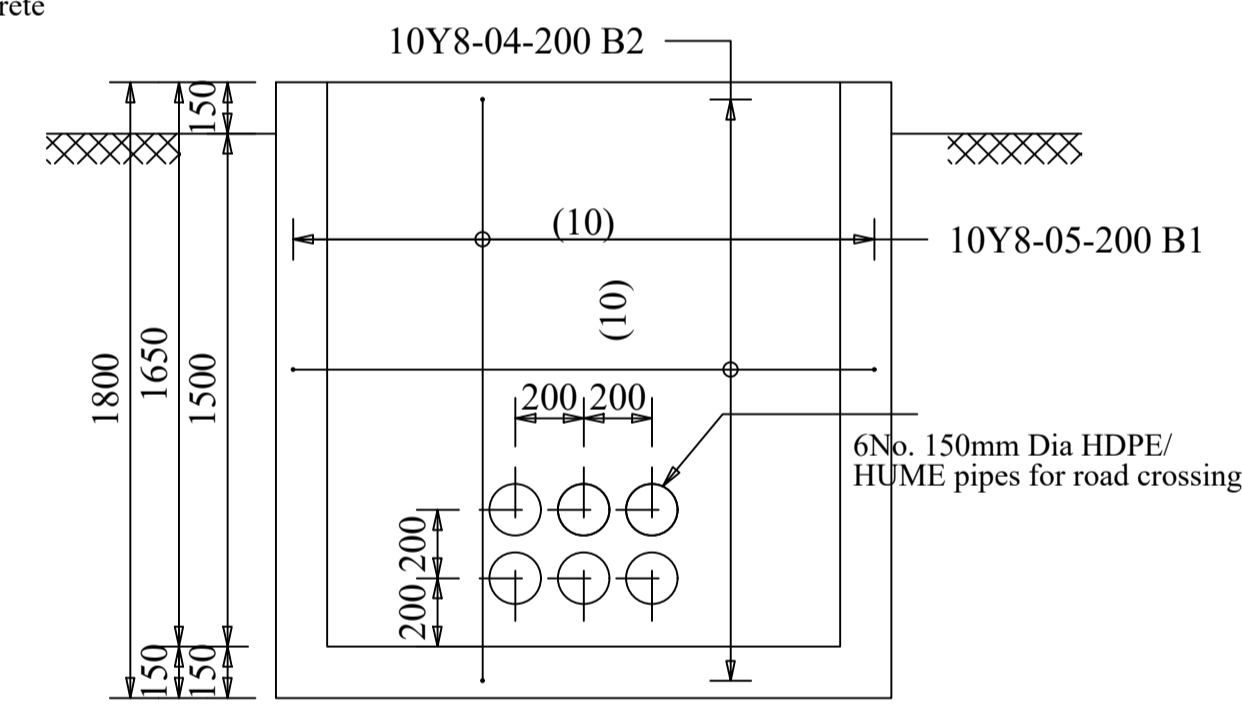
INSPECTION MANHOLE BED
SCALE 1:25



INSPECTION MANHOLE TOP COVER
SCALE 1:25



INSPECTION MANHOLE WALL 1
SCALE 1:25



INSPECTION MANHOLE WALL 2
SCALE 1:25

LEGEND NOTES:

1. CONCRETE CLASS: The class of concrete for manhole bed, walls & top cover is class 20.
2. Concrete haunch is 200mm of class 15 concrete.
3. Drainage sump is 250x250x200mm deep. Beneath the manhole, provide a soak pit made of hand packed hardcore 1500x1500mm wide & at least 2000mm deep.
2. Minimum H shall be 1200mm for any road class.

NOTES ON CONCRETE WORK

1. THESE NOTES SHALL BE DEEMED TO APPLY TO ALL STRUCTURAL DRAWINGS
2. THE STRUCTURAL DRAWINGS SHALL BE READ IN CONJUNCTION WITH THE ARCHITECTURAL DRAWINGS AND IN EVENT OF ANY DISCREPANCIES, THE ENGINEER AND THE ARCHITECT SHALL BE NOTIFIED BEFORE PROCEEDING WITH THE WORK.
3. ALL DIMENSIONS SHALL BE VERIFIED BY THE CONTRACTOR AND DRAWINGS SHALL NOT BE SCALED OFF.
4. CONCRETE SHALL HAVE 20MM MAXIMUM SIZE OF AGGREGATES AND SHALL BE ADEQUATELY VIBRATED AND CURED. CONCRETE GRADE SHALL BE CLASS 20 UNLESS OTHERWISE STATED BY THE ENGINEER.
5. BLINDING CONCRETE SHALL BE 1:4:8 MIX AND SHALL BE 50 MM THICK UNLESS OTHERWISE STATED.
6. BUILDING BLOCKS SHALL BE ADEQUATELY BONDED AND SET IN 3:1 SAND/CEMENT MORTAR.
7. STEEL REINFORCEMENT SHALL BE COLD WORKED BARS TO B.S 4461 REF. Y AND ROUND MILD BARS TO B.S 4448 REF. R.
8. UNLESS OTHERWISE STATED, CONCRETE COVERS SHALL BE AS FOLLOWS:-
- 75 MM FOR FOUNDATIONS
- 40 MM FOR COLUMNS
- 20 MM FOR SLABS AND STAIRCASES
- 25 MM FOR BEAMS
9. CONTRACTOR SHALL VERIFY THE DIMENSIONS GIVEN IN THE BENDING SCHEDULES BEFORE CUTTING AND BENDING STEEL REINFORCEMENT.
10. THESE NOTES DO NOT SUPERCEDE THE SPECIFICATIONS AND THE CONTRACTOR SHALL CONSULT THE ENGINEER IN EVENT OF ANY CONTRADICTIONS.

No.	Arrangement	B mm	D mm	H mm
2	○ ○	600	400	1500
3	○ ○ ○	800	400	1500
6	○ ○ ○ ○ ○ ○	800	600	1500
7	○ ○ ○ ○ ○ ○ ○ ○	1000	600	1500
9	○ ○ ○ ○ ○ ○ ○ ○ ○	800	800	1500
10	○ ○ ○ ○ ○ ○ ○ ○ ○ ○	1200	600	1500
12	○ ○ ○ ○ ○ ○ ○ ○ ○ ○ ○ ○ ○ ○ ○	1000	800	1500
15	○ ○ ○ ○ ○ ○ ○ ○ ○ ○ ○ ○ ○ ○ ○ ○ ○ ○	1200	800	1500

APPROVED	DATE	NAME	SIGN
CHIEF ENG. CONSTRUCTION	27-03-2020	G. NYAMBARE	
CHECKED ENGINEER I/C	27-03-2020	Eng. D.M.Wambugi	mwani
CHECKED PRINCIPAL DMAN			
DRAWN	27-03-2020	MWANIKI	mwani
TRACED			

REF	DESCRIPTION	DATE	SIGN	CHECKED	SIGN
1					
2					
3					
4					
5					
6					
7					