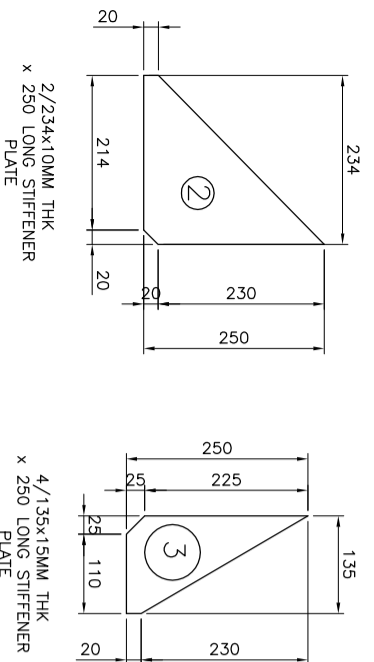


1 NO. POST INSULATOR STRUCTURE REQUIRED AS DRAWN MARKED – M/PI 132KV

SIDE ELEVATION



SR NO.	SECTION	WIDTH	LENGTH	THK	WT/M	QTY	WEIGHT	REMARKS
1	203x203UC		2705		52.00	1	140.7	MAIN SECTION
2	234x15 PLATE	234	250	15	27.55	2	13.8	STIFFENER PLATE
3	135x15 PLATE	135	250	15	15.90	2	7.9	STIFFENER PLATE
4	300x15 PLATE	300	300	15	35.33	1	10.6	BASE PLATE
5	540x15 PLATE	540	540	15	63.59	1	34.3	BASE PLATE
TOTAL WEIGHT							207.3	KGS

SUMMARY OF MATERIALS FOR PI 132KV

CF	0.001
CF	0.00785

GENERAL NOTES:

- 1) ALL STRUCTURAL STEELWORK TO BE GRADE 43C.
- 2) STEELWORK TO BE WIRE BRUSHED PRIOR TO PAINT APPLICATION.
- 3) ALL STEEL WORK TO BE HOT DIP GALVANIZED.
- 4) ALL SHOP WELDS TO BE 6MM FILLET WELDS UNLESS OTHERWISE NOTED.
- 5) BOLTS ARE GRADE 4.6 ANCHOR BOLTS AND GRADE 8.8. FOR STEEL CONNECTIONS
- 6) ALL SECTION SIZES TO BE AS SPECIFIED ON DRAWING.
- 7) THIS DRAWING TO BE READ IN CONJUNCTION WITH ALL RELEVANT DRAWINGS.

CLIENT:

KENYA POWER

CONTRACTOR:

ARM ENGINEERING LTD

PROJECT:

PROPOSED EXTENSION
132/33KV AT MAKUTIANO

TITLE:

POST INSULATOR

DATE:

JANUARY, 2011

SCALE:

VARIES

SHEET:

DRAWN:

EK

DESIGNED:

CA

CHECKED:

EK

APPROVED:



HTL ENGINEERING LIMITED
111/112/113/114/115/116/117/118/119/120/121/122/123/124/125/126/127/128/129/130/131/132/133/134/135/136/137/138/139/140/141/142/143/144/145/146/147/148/149/150/151/152/153/154/155/156/157/158/159/160/161/162/163/164/165/166/167/168/169/170/171/172/173/174/175/176/177/178/179/180/181/182/183/184/185/186/187/188/189/190/191/192/193/194/195/196/197/198/199/200/201/202/203/204/205/206/207/208/209/210/211/212/213/214/215/216/217/218/219/220/221/222/223/224/225/226/227/228/229/230/231/232/233/234/235/236/237/238/239/240/241/242/243/244/245/246/247/248/249/250/251/252/253/254/255/256/257/258/259/260/261/262/263/264/265/266/267/268/269/270/271/272/273/274/275/276/277/278/279/280/281/282/283/284/285/286/287/288/289/290/291/292/293/294/295/296/297/298/299/300/301/302/303/304/305/306/307/308/309/310/311/312/313/314/315/316/317/318/319/320/321/322/323/324/325/326/327/328/329/330/331/332/333/334/335/336/337/338/339/340/341/342/343/344/345/346/347/348/349/350/351/352/353/354/355/356/357/358/359/360/361/362/363/364/365/366/367/368/369/370/371/372/373/374/375/376/377/378/379/380/381/382/383/384/385/386/387/388/389/390/391/392/393/394/395/396/397/398/399/400/401/402/403/404/405/406/407/408/409/410/411/412/413/414/415/416/417/418/419/420/421/422/423/424/425/426/427/428/429/430/431/432/433/434/435/436/437/438/439/440/441/442/443/444/445/446/447/448/449/450/451/452/453/454/455/456/457/458/459/460/461/462/463/464/465/466/467/468/469/470/471/472/473/474/475/476/477/478/479/480/481/482/483/484/485/486/487/488/489/490/491/492/493/494/495/496/497/498/499/500/501/502/503/504/505/506/507/508/509/510/511/512/513/514/515/516/517/518/519/520/521/522/523/524/525/526/527/528/529/530/531/532/533/534/535/536/537/538/539/540/541/542/543/544/545/546/547/548/549/550/551/552/553/554/555/556/557/558/559/560/561/562/563/564/565/566/567/568/569/570/571/572/573/574/575/576/577/578/579/580/581/582/583/584/585/586/587/588/589/590/591/592/593/594/595/596/597/598/599/600/601/602/603/604/605/606/607/608/609/610/611/612/613/614/615/616/617/618/619/620/621/622/623/624/625/626/627/628/629/630/631/632/633/634/635/636/637/638/639/640/641/642/643/644/645/646/647/648/649/650/651/652/653/654/655/656/657/658/659/660/661/662/663/664/665/666/667/668/669/670/671/672/673/674/675/676/677/678/679/680/681/682/683/684/685/686/687/688/689/690/691/692/693/694/695/696/697/698/699/700/701/702/703/704/705/706/707/708/709/710/711/712/713/714/715/716/717/718/719/720/721/722/723/724/725/726/727/728/729/730/731/732/733/734/735/736/737/738/739/740/741/742/743/744/745/746/747/748/749/750/751/752/753/754/755/756/757/758/759/760/761/762/763/764/765/766/767/768/769/770/771/772/773/774/775/776/777/778/779/780/781/782/783/784/785/786/787/788/789/790/791/792/793/794/795/796/797/798/799/800/801/802/803/804/805/806/807/808/809/810/811/812/813/814/815/816/817/818/819/820/821/822/823/824/825/826/827/828/829/830/831/832/833/834/835/836/837/838/839/840/841/842/843/844/845/846/847/848/849/850/851/852/853/854/855/856/857/858/859/860/861/862/863/864/865/866/867/868/869/870/871/872/873/874/875/876/877/878/879/880/881/882/883/884/885/886/887/888/889/890/891/892/893/894/895/896/897/898/899/900/901/902/903/904/905/906/907/908/909/910/911/912/913/914/915/916/917/918/919/920/921/922/923/924/925/926/927/928/929/930/931/932/933/934/935/936/937/938/939/940/941/942/943/944/945/946/947/948/949/950/951/952/953/954/955/956/957/958/959/960/961/962/963/964/965/966/967/968/969/970/971/972/973/974/975/976/977/978/979/980/981/982/983/984/985/986/987/988/989/990/991/992/993/994/995/996/997/998/999/1000

DWG No. M2016/A/05

REV