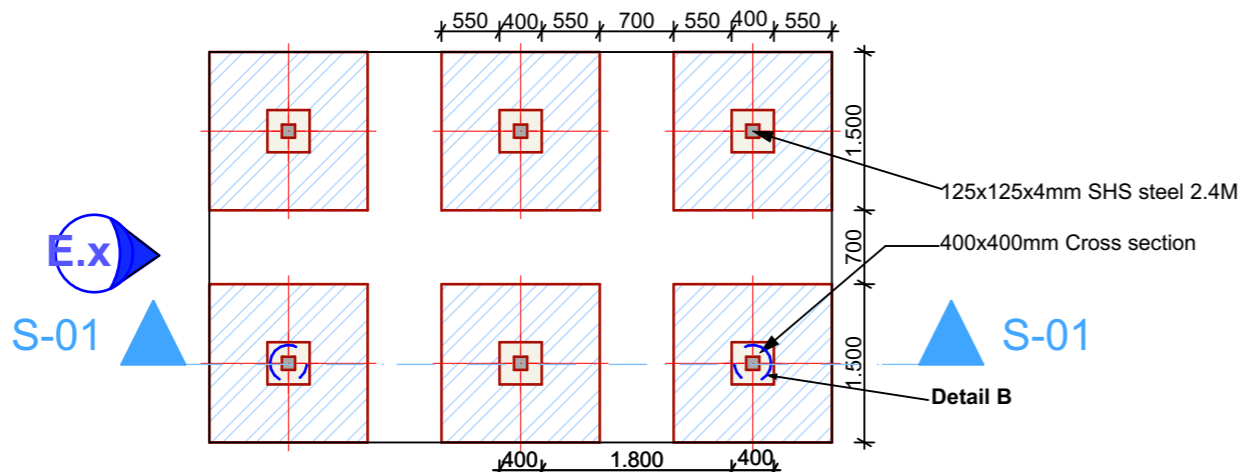
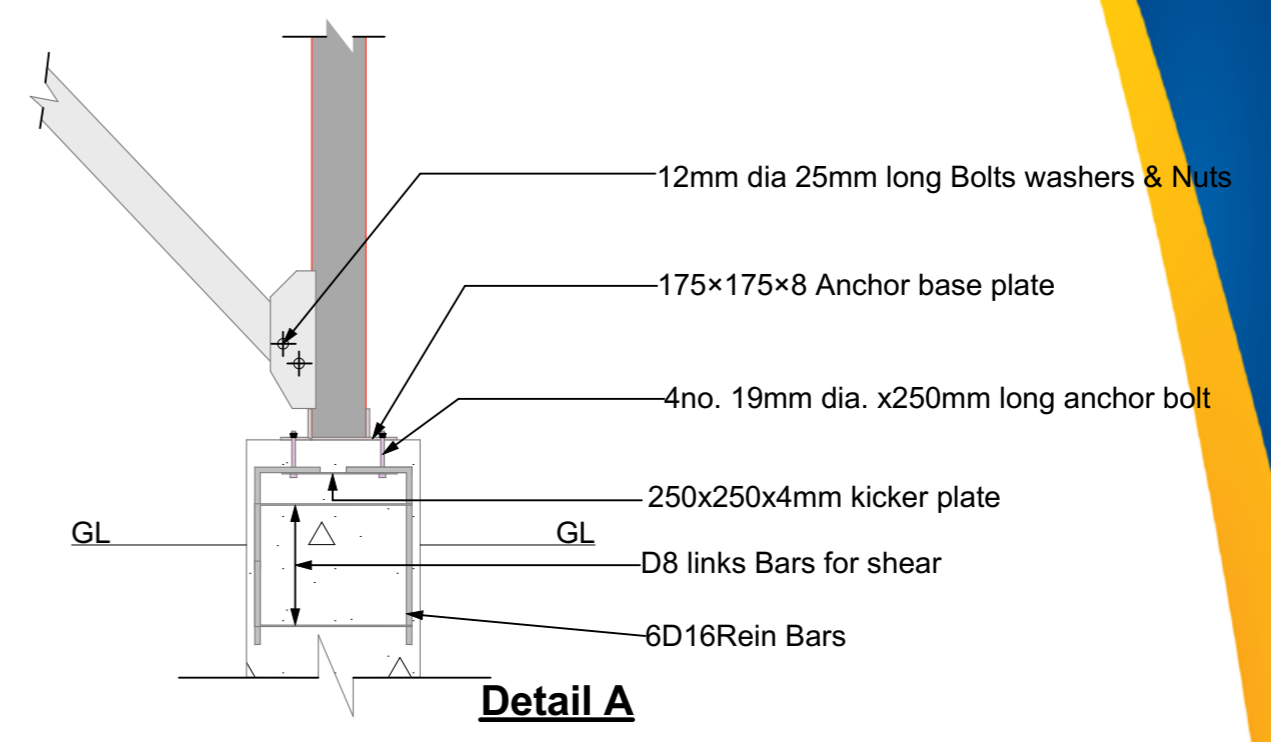


**ELEVATION (E.x)**

**SECTION (S-01)**

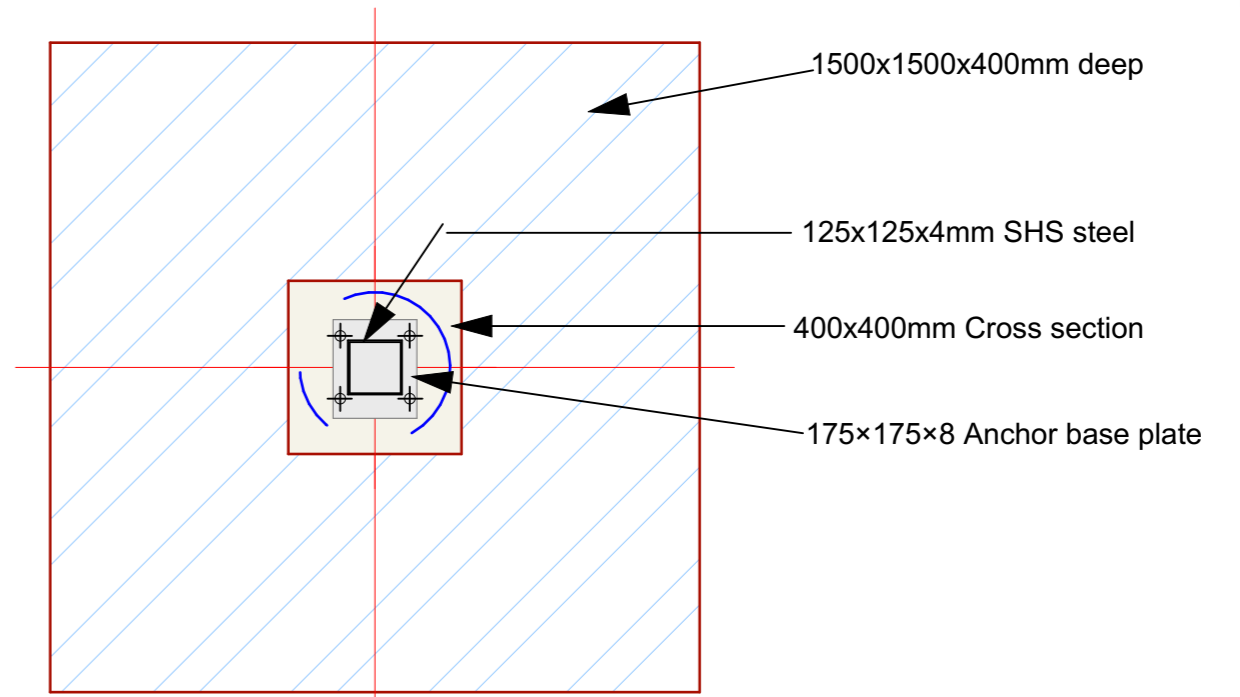


**FOUNDATION PAD & FOOTING**



**Detail A**

Scale 1:17.42



**Detail B**

Scale 1:17.47

Name	Designation	Signature	Date	RevID	ChID	Change Name	Date
DRAWN BY :	Domenic Muchangi	Snr. Technician-CO		REV.			
APPROVED BY :	Solomon Were	Principal Project Officer					
APPROVED BY :	Mary Kaaria	Manager, Admin & Property					

**JOB Title:** PROPOSED WATER TOWER AT ROYSAMBU COMMERCIAL OFFICE



Drawing Scale  
**1:75**  
Sheet NO.